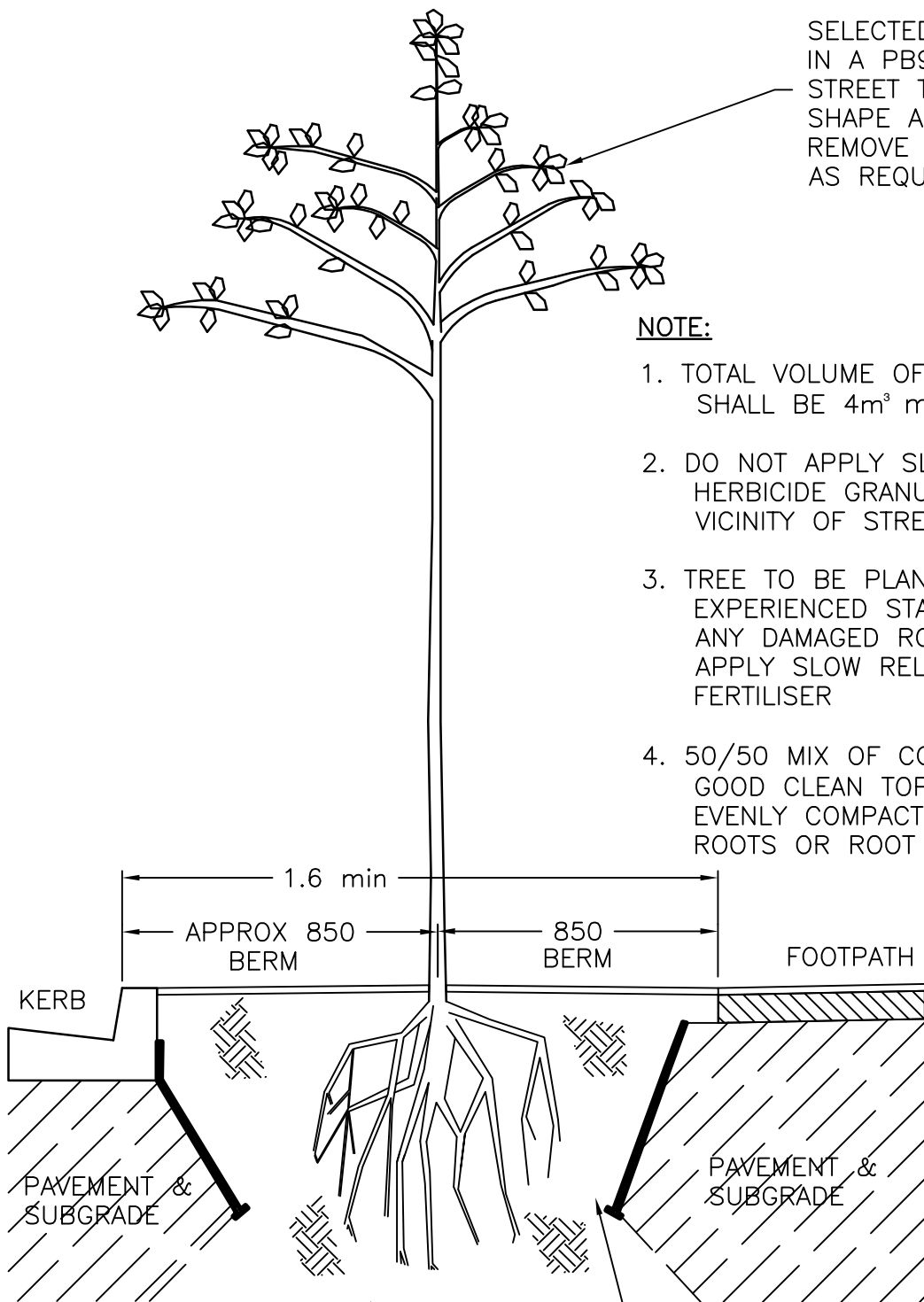


SELECTED 1.8m+ TREE GROWN IN A PB90 AND TRAINED AS A STREET TREE. PRUNE TO SHAPE AFTER PLANTING. REMOVE DAMAGED BRANCHES AS REQUIRED.

NOTE:

1. TOTAL VOLUME OF ROOT WELL SHALL BE 4m³ min
2. DO NOT APPLY SLOW RELEASE HERBICIDE GRANULES IN THE VICINITY OF STREET TREES
3. TREE TO BE PLANTED BY EXPERIENCED STAFF. PRUNE ANY DAMAGED ROOTS, AND APPLY SLOW RELEASE FERTILISER
4. 50/50 MIX OF COMPOST AND GOOD CLEAN TOPSOIL. EVENLY COMPACTED AROUND ROOTS OR ROOT BALL



EXCAVATE A ROOT WELL 900mm DEEP AND ENSURE THE BOTTOM AND SIDES ARE FREE DRAINING. BACKFILL WITH TOP QUALITY TOPSOIL.

PURPOSE MADE PLASTIC ROOT DIRECTOR WHERE ADJACENT TO KERB, FOOTPATHS, or PAVED SURFACES. MINIMUM 1.0m DIAMETER X 0.75m DEPTH

**NELSON
CITY
COUNCIL**

**STREET TREE PLANTER
IN BERM**

COMMUNITY SERVICES

APPROVED

[Signature]

MANAGER PARKS & FACILITIES

29/07/2010

DATE

SD 1201

SELECTED 1.8m+ TREE GROWN IN A PB90 AND TRAINED AS A STREET TREE. PRUNE TO SHAPE AFTER PLANTING. REMOVE DAMAGED BRANCHES AS REQUIRED.

FOR EXTRA INITIAL SUPPORT THE TREE SHOULD BE TIED IN TWO OPPOSITE DIRECTIONS WITH A SUITABLE LENGTH OF BIKE TUBE.

APPROVED NCC TREE GUARD PAINTED IN GLOSS BLACK ENAMEL (POWDER COAT).

2x4 LITRE/HOUR DRIPPER IRRIGATION IF POSSIBLE.

APPROX 1200

KERB

MIN 1m

1700

FOOTPATH

150X150 CONCRETE SURROUND REINFORCED WITH D12 BAR.

500

500

PURPOSE MADE PLASTIC ROOT DIRECTOR. MINIMUM 1.0m DIAMETER X 0.75m DEPTH

PURPOSE MADE PLASTIC ROOT CELLS LOADED WITH TOPSOIL. PLACE POROUS GEOTEXTILE ABOVE ROOT CELLS

EXCAVATE A ROOT WELL 900mm DEEP AND ENSURE THE BOTTOM AND SIDES ARE FREE DRAINING. BACKFILL WITH TOP QUALITY TOPSOIL.

50/50 MIX OF COMPOST AND GOOD CLEAN TOPSOIL. EVENLY COMPACTED AROUND ROOTS OR ROOT BALL.

NOTE:

1. TOTAL VOLUME OF ROOT CELLS PLUS ROOT WELL SHALL BE 4m³ min
2. DO NOT APPLY SLOW RELEASE HERBICIDE GRANULES IN THE VICINITY OF STREET TREES.
3. REMOVE BOTH GRATES AND GUARD AFTER 5 YEARS FROM PLANTING.
4. TOP UP TO PATH LEVEL WITH PEA METAL OR SIMILAR.
5. IF IRRIGATION IS NOT AVAILABLE, A 50mm GAP SHOULD BE LEFT BETWEEN THE GRATE AND THE SOIL TO ALLOW A 'WELL' FOR TREE WATERING. THE GRATES WILL BE SUPPORTED BY THE CONCRETE PLANTER.
6. TREE TO BE PLANTED BY EXPERIENCED STAFF. PRUNE ANY DAMAGED ROOTS, AND APPLY SLOW RELEASE FERTILISER.

TREE GUARD BOLTED TO TREE GRATE. DRILL AND TAP GRATE IN WORKSHOP. ENSURE TREE GUARD IS PERPENDICULAR.

NCC APPROVED CAST IRON TREE GRATE SUPPORTED BY FRAME AND/OR CONCRETE SURROUND

**NELSON
CITY
COUNCIL**

**STREET TREE PLANTER
IN FOOTPATH or PEDESTRIAN AREAS**

COMMUNITY SERVICES

APPROVED

[Signature]

MANAGER PARKS & FACILITIES

29/07/2010

DATE

SD 1202

IF PLAQUE IS FITTED IT IS TO BE SET INTO THE CENTRE OF THE TOP BOARD SO THAT THE FRONT OF THE PLAQUE IS FLUSH.

10mm ϕ GALVANISED COACH BOLTS. ROUND HEAD.

DRESSED EX 200 x 50 No.1 H3 TREATED PINE POPLAR OR MACROCARPA.

DRESSED 150 x 50 No. 1 H3 TREATED PINE. POPLAR OR MACROCARPA

TIMBER TO BE PAINTED WITH RESENE LUMBERSIDER "DOC GREEN".

CHAMFER AND SAND ALL TOP EDGES.

LENGTH OF SEAT IS 1.8m WITH PIPE LEGS 300mm IN FROM EACH END.

CAP EACH END OF GALVANISED PIPE. PIPE IS 900mm LONG. BEND TO 100°.

EXCESS THREAD TO BE TRIMMED OFF AND ENDS PENNED OVER OR LIGHTLY WELDED TO REMOVE SHARP EDGES AND PREVENT REMOVAL.

120mm RADIUS

WELDS TO BE WIRE BRUSHED AND PAINTED WITH GREY ANTI RUST PRIMER PAINT SUCH AS COLDGALV.

CONCRETE PAD 2.2 x 1.0 x 0.1 STEEL FLOAT FINISH WITH EDGING TROWEL FINISH AROUND OUTSIDE EDGE. PAD TO HAVE 3% CROSSFALL TO DISPERSE RAIN.

40mm NOMINAL GALVANISED PIPE 740mm LONG. PRESS AND SHAPE TO FIT AT 93° AND WELD WITH 6mm FILLET ALL ROUND.

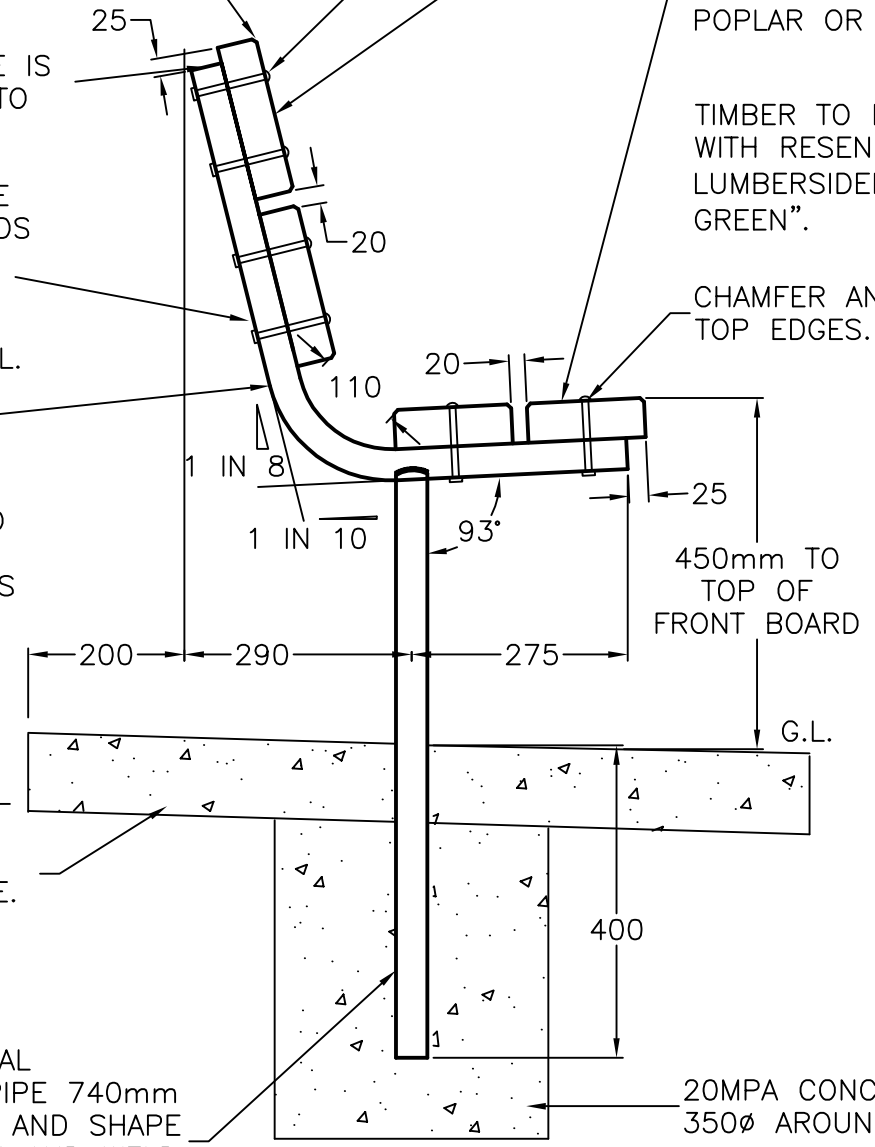
450mm TO TOP OF FRONT BOARD

G.L.

20MPA CONCRETE MIN 350 ϕ AROUND PIPE.

STEEL LEGS ARE TO BE BENT IN A HYDRAULIC PIPE BENDER WITH SUITABLE FORMER AND WELDED IN A JIG TO ENSURE UNIFORMITY.

NTS



**NELSON
CITY
COUNCIL**

STANDARD PARK BENCH

COMMUNITY SERVICES

PLAN No.

APPROVED

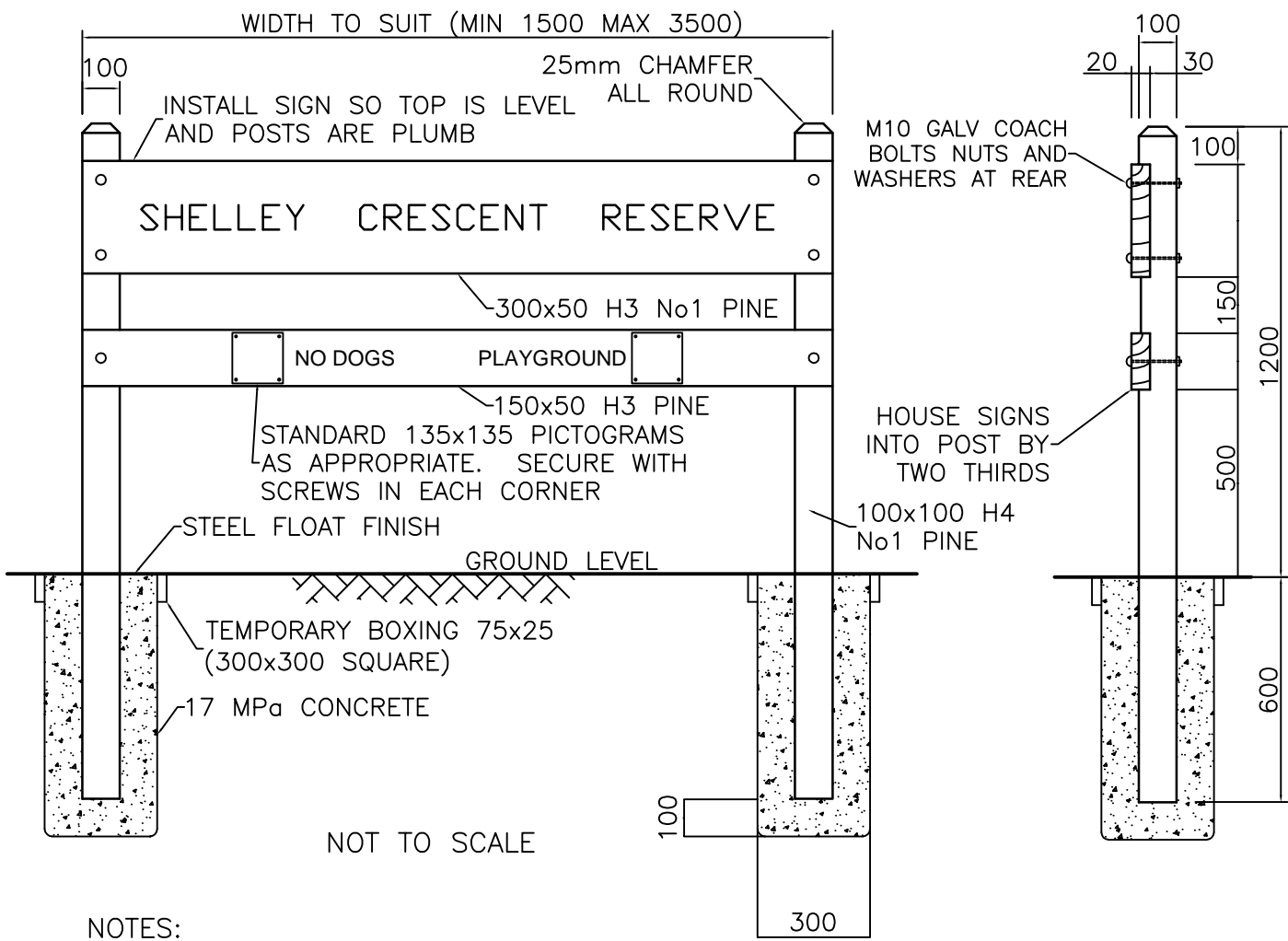
[Signature]

29/07/2010

MANAGER PARKS & FACILITIES

DATE

SD 1203



NOTES:

1. LETTER FONT TO BE 'ARIAL BOLD' SIZE AS APPROPRIATE TO FIT CENTRE WORDS TO SIGN BOARD
2. WHERE APPROPRIATE INCLUDE MAORI NAME BELOW NAME ON SAME SIGN BOARD AND REDUCE FONT SIZE AS REQUIRED TO FIT
3. ALL TIMBER ABOVE GROUND TO BE PAINTED WITH RESENE LUMBERSIDER 'DOC GREEN' LETTERING TO BE ROUTED TO DEPTH OF 5mm WITH CLEAN EDGES (LIGHTLY SANDED) LETTER COLOUR TO BE RESENE 'BUTTERMILK' 6BY50

**NELSON
CITY
COUNCIL**

STANDARD PARK SIGN

COMMUNITY SERVICES

APPROVED

[Signature]

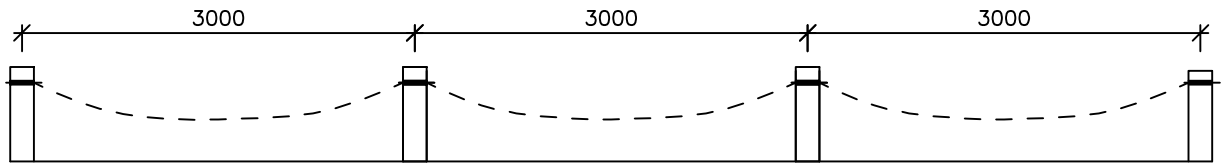
MANAGER PARKS & FACILITIES

29/07/2010

DATE

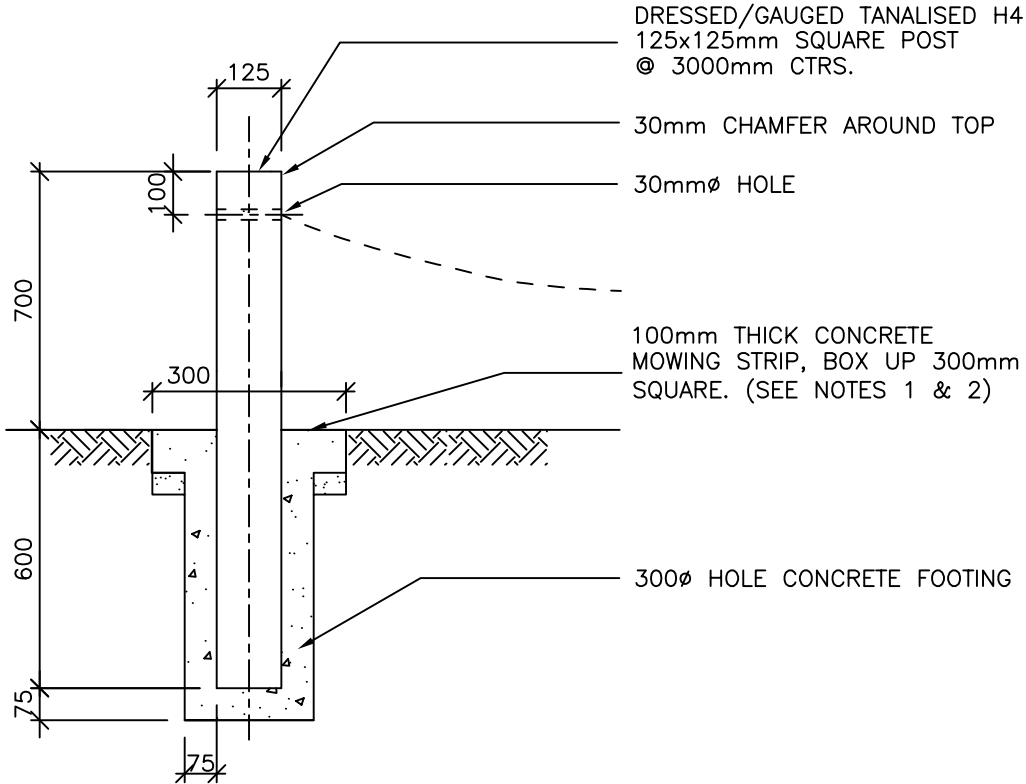
PLAN No.

SD 1204



ELEVATION
SCALE 1:50

NOTE
A GAP OF 1.5m FOR EASY PEDESTRIAN ACCESS SHOULD BE ALLOWED FOR EVERY FEW BOLLARDS.



TYPICAL SECTION
SCALE 1:20

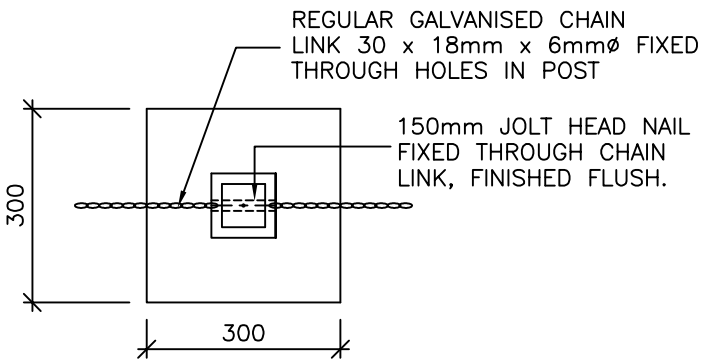
DRESSED/GAUGED TANKALISED H4
125x125mm SQUARE POST
@ 3000mm CTRS.

30mm CHAMFER AROUND TOP

30mm ϕ HOLE

100mm THICK CONCRETE
MOWING STRIP, BOX UP 300mm
SQUARE. (SEE NOTES 1 & 2)

300 ϕ HOLE CONCRETE FOOTING



PLAN
SCALE 1:20

REGULAR GALVANISED CHAIN
LINK 30 x 18mm x 6mm ϕ FIXED
THROUGH HOLES IN POST

150mm JOLT HEAD NAIL
FIXED THROUGH CHAIN
LINK, FINISHED FLUSH.

NOTES

1. REINSTATE WITH TOPSOIL & GRASSING TO BE FLUSH WITH CONCRETE.

**NELSON
CITY
COUNCIL**

WOODEN BOLLARD & CHAIN FENCE

INFRASTRUCTURAL ASSETS

APPROVED

SENIOR EXECUTIVE INFRASTRUCTURE

29/07/2010

DATE

SD 1205